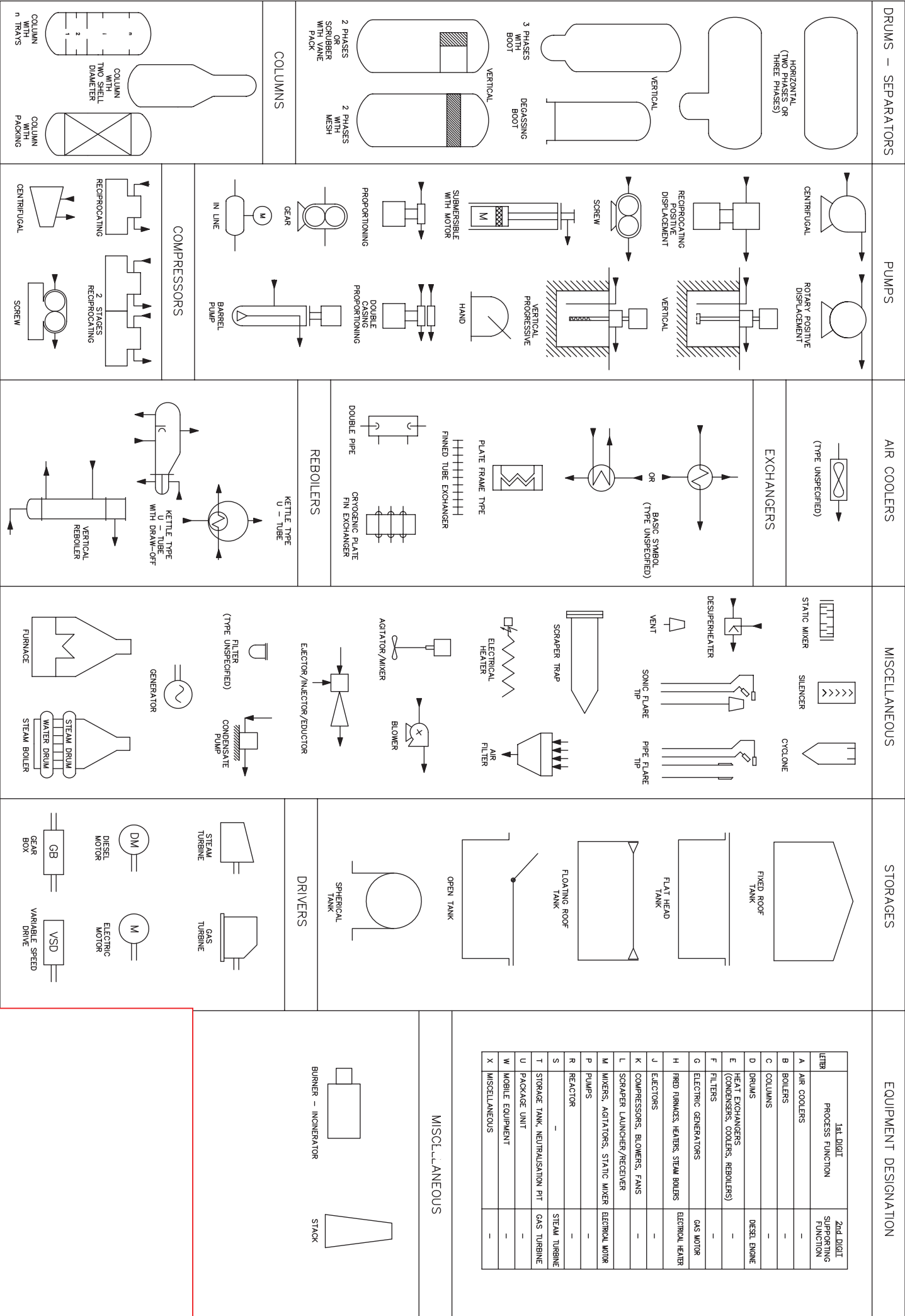
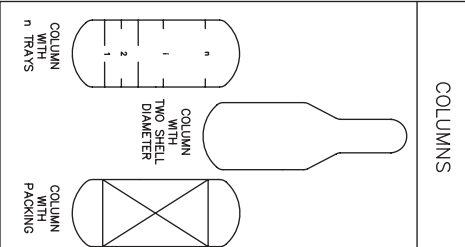
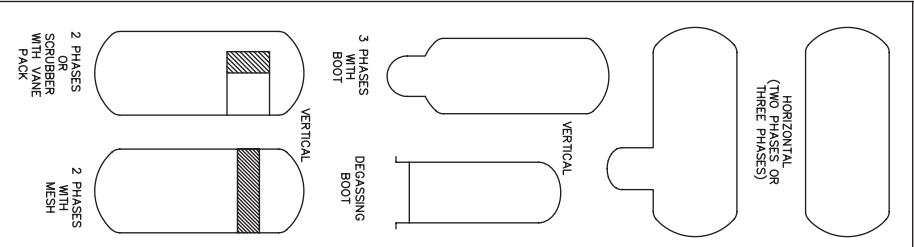


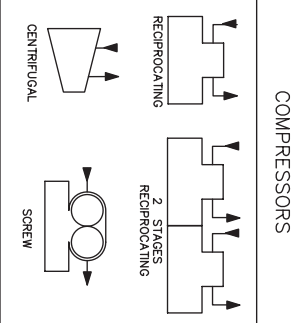
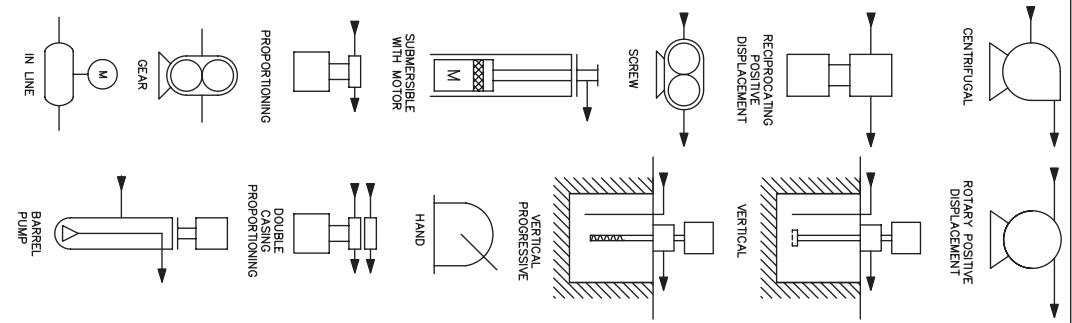
MECHANICAL AND PROCESS EQUIPMENT



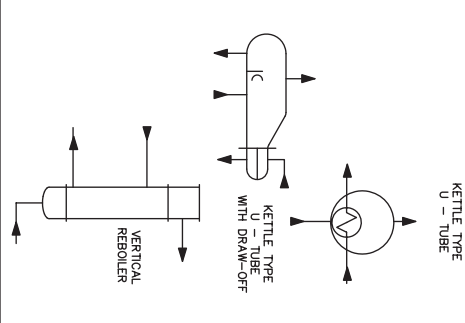
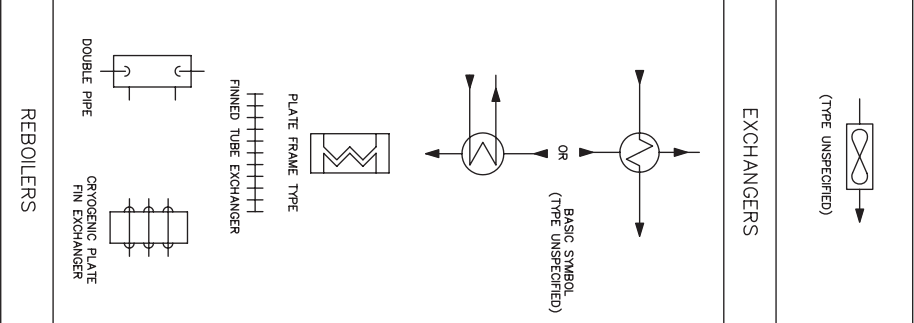
DRUMS – SEPARATORS



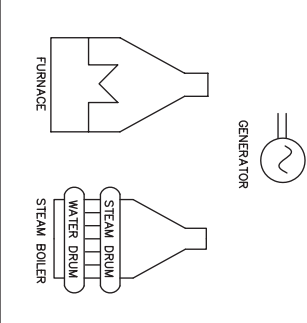
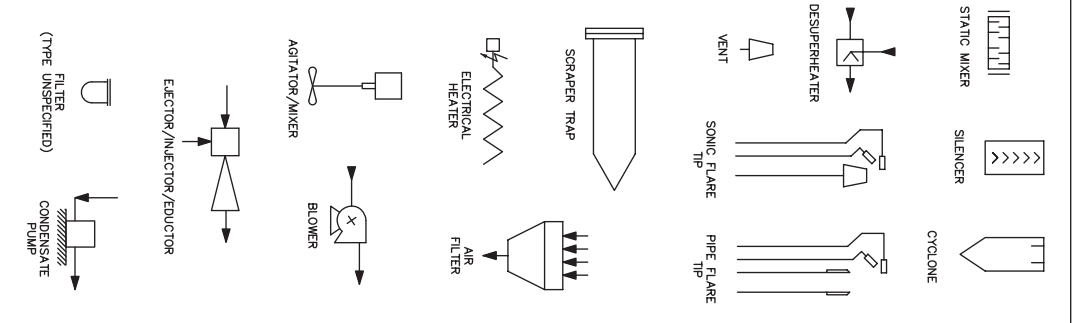
PUMPS



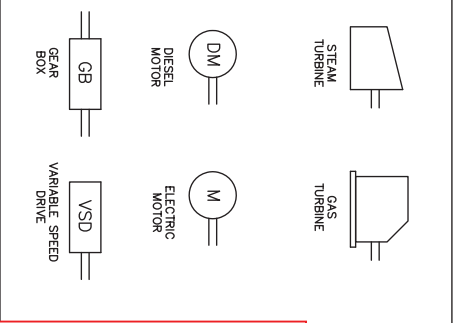
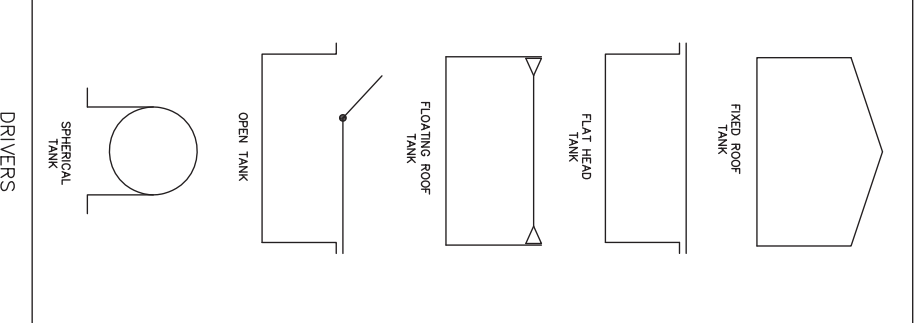
AIR COOLERS



MISCELLANEOUS



STORAGE



EQUIPMENT DESIGNATION

LETTER	1st DIGIT PROCESS FUNCTION	2nd DIGIT SUPPORTING FUNCTION
A	AIR COOLERS	-
B	BOLLERS	-
C	COLUMNS	-
D	DRUMS	DIESEL ENGINE
E	HEAT EXCHANGERS (CONDENSERS, COOLERS, REBOILERS)	-
F	FILTERS	-
G	ELECTRIC GENERATORS	GAS MOTOR
H	FRED URKARDS, HEATERS, STEAM BOLLERS	ELECTRICAL HEATER
J	EJECTORS	-
K	COMPRESSORS, BLOWERS, FANS	-
L	SCRAPER LAUNCHER/RECEIVER	-
M	MIXERS, AGITATORS, STATIC MIXER	ELECTRICAL MOTOR
P	PUMPS	-
R	REACTOR	-
S	-	STEAM TURBINE
T	STORAGE TANK, NEUTRALISATION PIT	GAS TURBINE
U	PACKAGE UNIT	-
W	MOBILE EQUIPMENT	-
X	MISCELLANEOUS	-

MISCELLANEOUS

