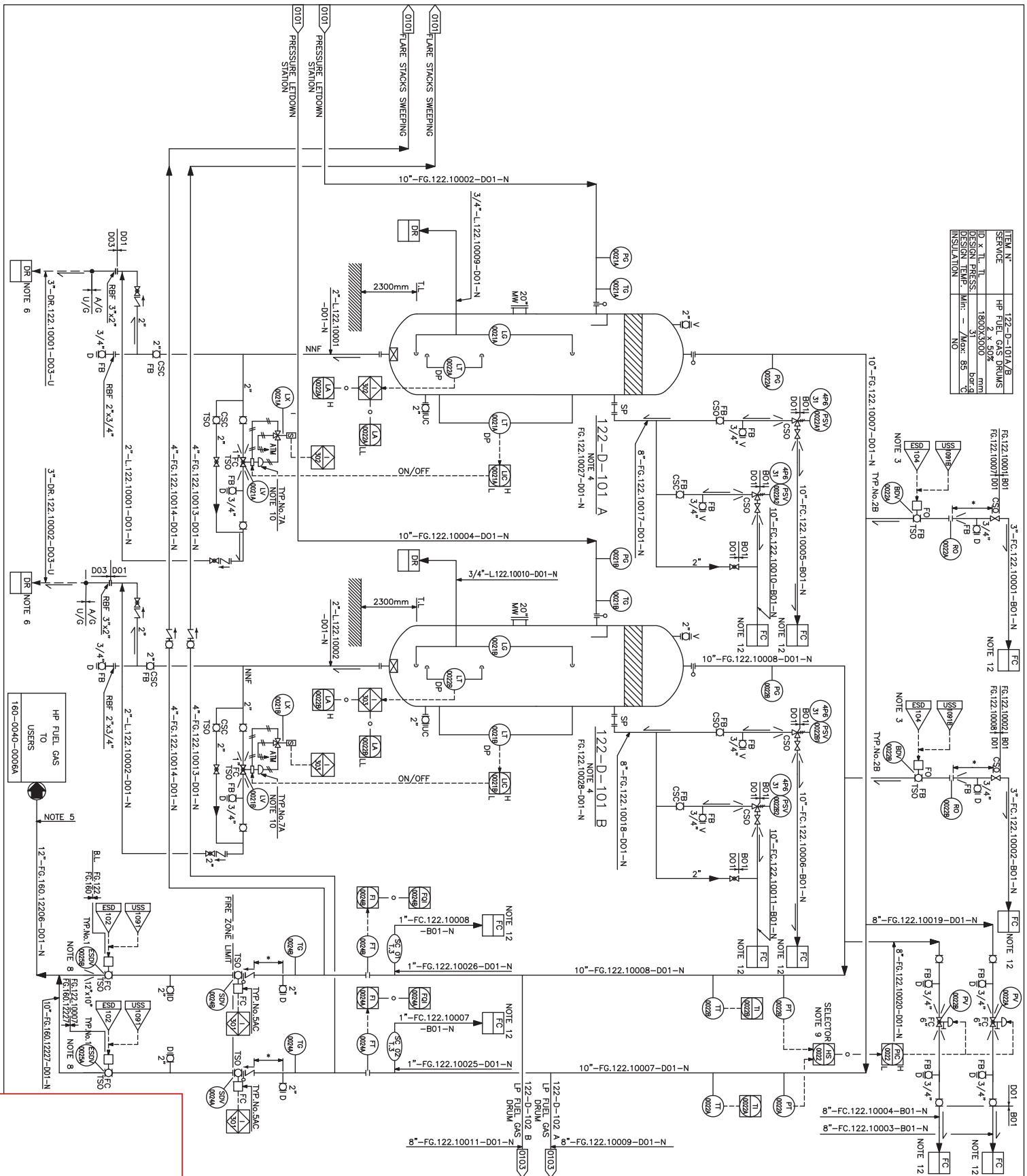


ITEM NO.	122-D-101A/B
SERVICE	HP FUEL GAS DRUMS
ID x TL	50 x 50 mm
DESIGN PRESS.	1800/3000 bar/g
DESIGN TEMP.	Max: 85
INSULATION	Min: - / Max: 85



NOTES

- 1 - DELETED.
- 2 - DELETED.
- 3 - BDV-0022A/B OPEN BY PUSH BUTTON WITH ESD1 STATUS AS PERMISSIVE.
- 4 - BOTH HP FUEL GAS DRUMS 122-D-101 A/B ARE IN OPERATION DURING NORMAL OPERATION.
- 5 - NO POCKET ON THE FUEL GAS DISTRIBUTION HEADER.
- 6 - DRAWN TO UTILITIES AND OFFSITE DRAIN DRAW 141-D-101.
- 7 - DELETED.
- 8 - DISTANCE BETWEEN ESDV AND HAZARDOUS EQUIPMENT IN THE FIRE ZONE SHOULD CONFORM TO THE RESULTS OF FIRE CONSEQUENCE ANALYSIS (FCA) FOR PRACTICABLE SHEET MINIMUM DISTANCE SHALL BE 15M FROM UNIT EDGE AND THE ESDV AND ASSOCIATED PIPING SHALL BE PROTECTED.
- 9 - SELECTOR HS-0022 IS PROVIDED TO SELECT ONE SIGNAL FROM PIS-0022 A/B FOR CONTROLLING PVS-0022A/B. THE HS-0022 WILL BE CHANGED TO THE OTHER AUTOMATICALLY.
- 10 - CONTROL VALVE WITH SHUT DOWN SYSTEM.
- 11 - DELETED.
- 12 - CONNECTED EITHER TO PHASE

GENERAL NOTES

- ALL INSTRUMENT TAGS TO READ:
 1221 LETTERS NUMBER
 FFF NUMBER
 - DELETED.

EQUIPMENT LIST

DRUMS	UTILITY PID NUMBER
122-D-101A/B	2017-185-0040-0004A&B
	2017-185-0040-0005A
	DR